

HY-WDC6E all in one weather station

Introduction

HY-WDC6E is all in one weather station integrated with multiple modules. Wind measurement is based on our ultrasonic technology, it has no fear of the damage commonly experienced with more fragile cups/vane weather station. Without the need for expensive on-site calibration or maintenance and with a corrosion free exterior, HY-WDC6E is maintenance free, quick and easy to install.

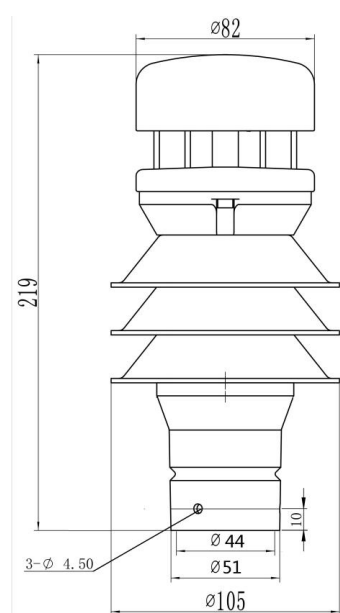
Shell is made by ASA engineering plastic, which has high outdoor weather ability. ASA is extremely resistant against UV radiation of sun, it is frost and heat resistant, standing all climatically conditions for over 10 years.

HY-WDC6E can realize simultaneous measurement of multi-parameters: wind, temperature, humidity, pressure and precipitation, solar, luminance, Noise, PMS, visibility. Precipitation is detected by 24G radar or piezoelectric module.

Application

Weather observation
Emergency services
Coastal and ocean buoys
Agriculture and horticulture
Environmental monitoring

Dimension



Specification

| | |
|--|---------------------------------------|
| Wind Speed: 0 ~ 40m/s | Principle: Ultrasonic |
| Resolution: 0.1 m/s | Accuracy: $\pm 5\%$ |
| Wind Direction: 0 ~ 360° | Principle: Ultrasonic |
| Resolution: 1° | Accuracy: $\pm 3^\circ$ |
| Temperature: -40~+80°C | Principle: NTC |
| Resolution: 0.1°C | Accuracy: $\pm 0.5^\circ\text{C}$ |
| Humidity: 0-100% | Principle: Capacitive |
| Resolution: 0.1% | Accuracy: $\pm 2\%$ |
| Pressure: 150-1100hPa | Principle: Piezoelectric |
| Resolution: 0.1hPa | Accuracy: $\pm 1\text{ hPa}$ |
| Precipitation: 0-500mm/hr | Principle: 24G radar or piezoelectric |
| Radar module can identify rain, snow, hail | |
| Resolution: 0.01mm/hr | Accuracy: $\pm 10\%$ |
| Luminance: 0-200000lux | Principle: photoelectric |
| Resolution: 1 lux | Accuracy: $\pm 5\%$ |
| Solar Radiation: 0-2000W/m ² | Principle: photoelectric |
| Resolution: 1 W/m ² | Accuracy: $\pm 5\%$ |
| PM1.0/PM2.5/PM10: 0-500ug/m ³ | Principle: laser scattering |
| Resolution: 1 ug/m ³ | Accuracy: $\pm 10\%$ |
| Visibility: 10-10 000m | Accuracy: $\pm 20\%$ |
| Noise: 30-130 dB | Accuracy: $\pm 3\text{dB}$ |
| Serial Output: RS232 or RS485 | |
| Formats: ASCII, ASCII polled, NMEA0183, MODBUS-RTU, SDI-12 | |
| Baud: 1200, 4800, 9600, 19200, 38400 | |
| Power consumption: 7-30 VDC < 110 mA typical | |
| Operating temperature: -40 ~ +70°C | |



Hongyuv Technology Co., Ltd.
Xinye Road 4th, Piddu Zone, Chengdu City, Sichuan Province, China
TEL / Whatsapp: +86 18681878709 Skype: stefan@hongyuv.com
Email: stefan@hongyuv.com Wechat: wswgenius
Website: www.hongyuv.com/en