

HY-RS2E Radar Precipitation Sensor

Introduction

HY-RS2E adopts advanced small 24GHz Doppler radar, the speed rate of drops is registered with a 24GHz radar system. By comparison between the speed rate and the size of drops, the quantity of rain or its intensity will be registered. The rain/precipitation type (rain/snow/hail) is determined thanks to the speed rate of the rain. Resolution up to 0.1mm, without maintenance.

Neither do you need to worry about obstruction such as leaves covered in the surface of the detector to interfere with rainfall detection, nor do you need to have heating device to prevent freezing.

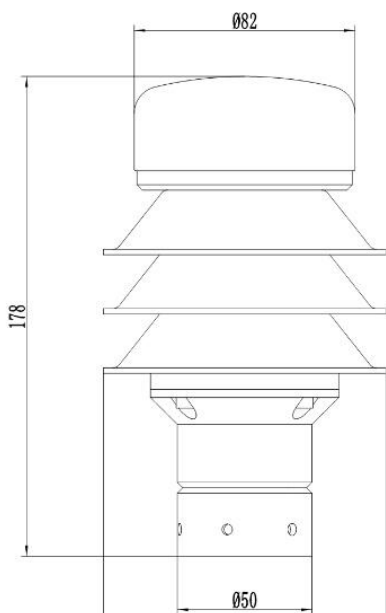
HY-RS2E is calibrated and compared with tipping bucket rain gauge in natural circumstances for a long-term to make sure it is of high accuracy and consistency.



Application

Weather observation
Emergency services
Agriculture and horticulture
Environmental monitoring
Flood early warning system
Irrigation Control

Dimension



Specification

Precipitation intensity: 0-500 mm/hr

Rain accumulation: 0~999999999.99 mm

Principle: 24G radar

Resolution: 0.01mm Accuracy: $\pm 10\%$

Distinguishable: rain, snow, hail

Optional with extra cost

Temperature: $-40\sim+80^{\circ}\text{C}$ Principle: NTC

Resolution: 0.1°C Accuracy: $\pm 0.5^{\circ}\text{C}$

Optional with extra cost

Humidity: 0-100% Principle: Capacitive

Resolution: 0.1% Accuracy: $\pm 2\%$

Optional with extra cost

Pressure: 150-1100hPa Principle: MEMS

Resolution: 0.1hPa Accuracy: $\pm 1\text{ hPa}$

Serial Output: RS232 or RS485

Formats: unsolicited ASCII, NMEA0183,

MODBUS-RTU, SDI-12

Baud: 1200~115200

Power consumption: 7-30 VDC < 110 mA typical

Operating: Temp: $-40\sim+70^{\circ}\text{C}$ Hum.: 0~100%



Hongyuv Technology Co., Ltd.

Xinye Road 4th, Pidu Zone, Chengdu City, Sichuan Province, China

TEL / Whatsapp: +86 18681878709 Skype: stefan@hongyuv.com

Email: stefan@hongyuv.com

Wechat: wswgenius

Website: www.hongyuv.com/en