

HY-WDC6E all in one weather station

Introduction

HY-WDC6E is all in one weather station integrated with multiple modules. Wind measurement is based on our ultrasonic technology, it has no fear of the damage commonly experienced with more fragile cups/vane weather station. Without the need for expensive on-site calibration or maintenance and with a corrosion free exterior, HY-WDC6E is maintenance free, quick and easy to install.

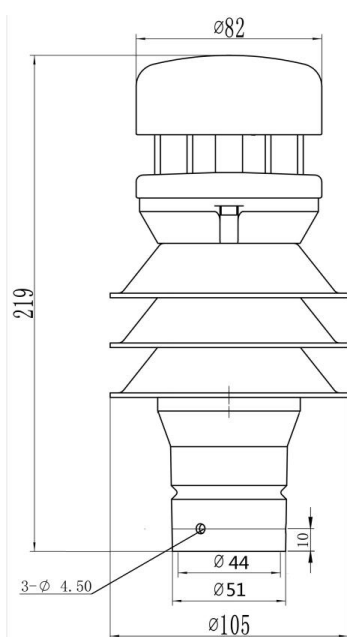
Shell is made by ASA engineering plastic, which has high outdoor weather ability. ASA is extremely resistant against UV radiation of sun, it is frost and heat resistant, standing all climatically conditions for over 10 years.

HY-WDC6E can realize simultaneous measurement of multi-parameters: wind, temperature, humidity, pressure and precipitation, solar, luminance, PMS. Precipitation is detected by 24G radar or piezoelectric module.

Application

Weather observation
Emergency services
Coastal and ocean buoys
Agriculture and horticulture
Environmental monitoring

Dimension



Specification

Wind Speed: 0 ~ 40m/s Principle: Ultrasonic
Resolution: 0.1 m/s Accuracy: $\pm 5\%$

Wind Direction: 0 ~ 360° Principle: Ultrasonic
Resolution: 1° Accuracy: $\pm 3^\circ$

Temperature: -40~+80°C Principle: NTC
Resolution: 0.1°C Accuracy: $\pm 0.5^\circ\text{C}$

Humidity: 0-100% Principle: Capacitive
Resolution: 0.1% Accuracy: $\pm 2\%$

Pressure: 150-1100hPa Principle: Piezoelectric
Resolution: 0.1hPa Accuracy: ± 1 hPa

Precipitation: 0-500mm/hr
Principle: 24G radar or piezoelectric
Resolution: 0.01mm/hr Accuracy: $\pm 10\%$

Luminance: 0-200000lux Principle: photoelectric
Resolution: 1 lux Accuracy: $\pm 5\%$

Solar Radiation: 0-2000W/m2
Principle: photoelectric
Resolution: 1 W/m2 Accuracy: $\pm 5\%$

PM1.0/PM2.5/PM10: 0-500ug/m3
Principle: laser scattering
Resolution: 1 ug/m3 Accuracy: $\pm 10\%$

Serial Output: RS232 or RS485
Formats: ASCII, ASCII polled, NMEA0183,
MODBUS-RTU, SDI-12
Baud: 1200, 4800, 9600, 19200, 38400

Power consumption: 7-30 VDC < 110 mA typical
Operating temperature: -40 ~ +70°C

