

# HY-SA2E Ultrasonic Anemometer for UAV

## Introduction

HY-SA2E ultrasonic anemometer is an instrument which uses flight time difference of ultrasonic wave in the air to measure wind speed and direction simultaneously. Material of its shell has two options: aluminum alloy with anodized and corrosion-resistant surface or light-weight ABS.

## Application

Unmanned Aerial Vehicle  
Weather observation  
Ports and harbours  
Emergency services  
Coastal and ocean buoys  
Agriculture and horticulture  
Environmental monitoring  
Crane safety alarm  
Wind plant monitoring



## Specification

Wind Speed: 0 ~ 60 m/s

Resolution: 0.1 m/s

Accuracy:  $\pm 3\%$

Wind Direction: 0 ~ 360°

Resolution: 1°

Accuracy:  $\pm 3^\circ$

Serial Output: RS232 or RS485

Formats: ASCII, ASCII polled, NMEA0183, MODBUS-RTU, SDI-12

Baud: 1200, 4800, 9600, 19200, 38400

Wind Units: m/s

Power Requirement:

Sensor: 5-30 VDC < 15 mA typical

Environmental:

Operating Temperature: -40 ~ +70°C

Protection Class: IP65

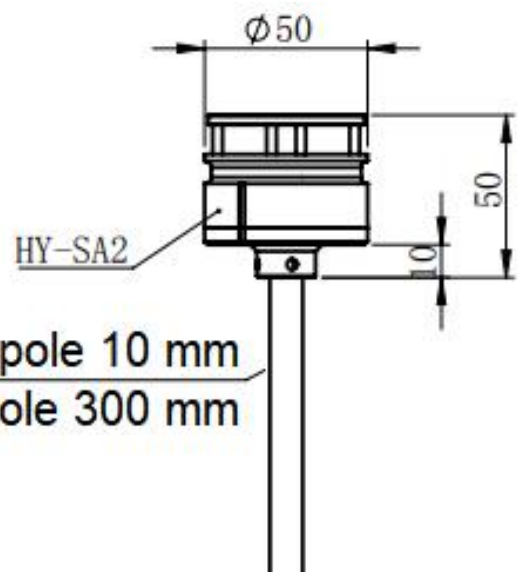
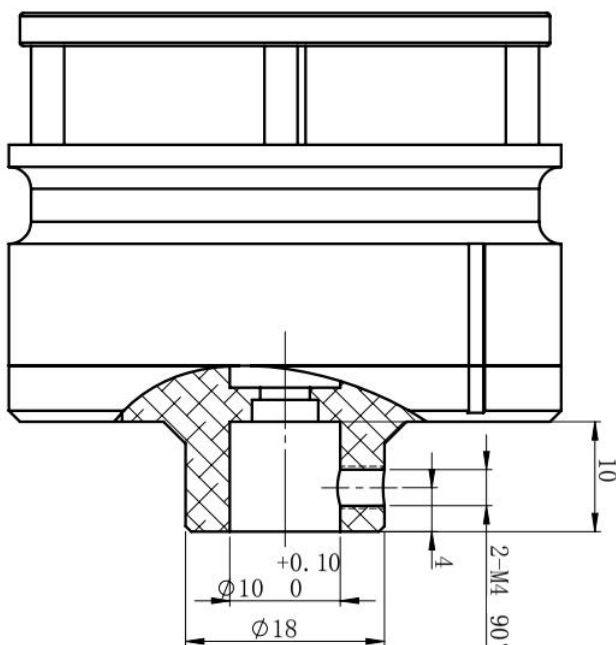
Dimensions:  $\Phi 50 \times 50$  mm

Material: ABS or aluminium alloy

Weight: 0.06 kg or 0.28 kg

Shipping Weight: 2 kg

## Dimension



diameter of pole 10 mm  
height of pole 300 mm



Hongyuv Technology Co., Ltd.

Xinye Road 4th, Piddu Zone, Chengdu City, Sichuan Province, China

TEL / Whatsapp: +86 18681878709 Skype: stefan@hongyuv.com

Email: stefan@hongyuv.com

Wechat: wswgenius

Website: www.hongyuv.com/en