

## HY-RSS11E Non-contact Road Surface State Sensor

### Brief Introduction

HY-RSS11E is a non-contact road surface state detector, thanks to remote sensing technology it's taken, it can not only avoid damage to the road, but also traffic interference during its installation. Multispectral measurement technology enables accurate detection of thickness of ice, snow, water on surface of the road.



HY-RSS11E detector is ideal choice for road conditions where installation of embedded pavement sensor is inconvenient or inapplicable. Remote installation, means that there is no need to slot-cut surface or shut down the road, its installation is safe and convenient. It's almost free of maintenance and ideal choice for road meteorological systems. It can be installed on existing weather stations or on other buildings which has unobstructed view to pavement.

The HY-RSS11E detector is installed in a robust durable housing to ensure it's stable working and providing accurate data during bad weather.

By providing accurate road state information, HY-RSS11E can alarm road management department to take appropriate remedial action. before weather elements has created a hazardous driving surface.

### Function

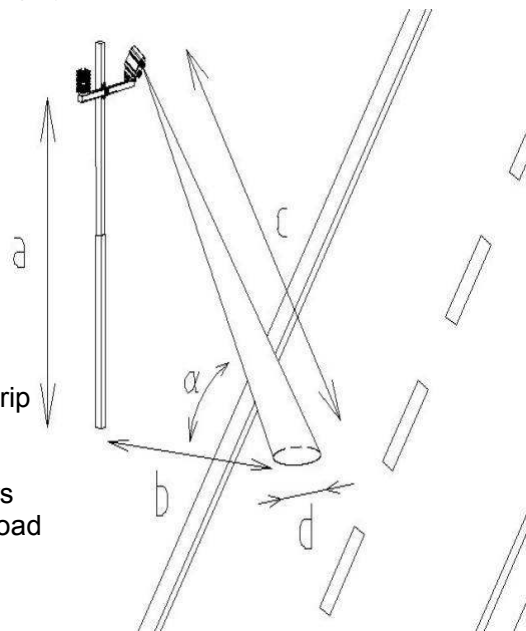
- Detect thickness of of ice, snow, water on surface of the road
- Remotely monitor road state
- No embedded installation
- Low maintenance cost
- Can be integrated into existing road monitoring system

### Application

- Bridge road
- Accident-prone areas
- Intense traffic area
- Rain and snow-prone areas

### Features

- Remote monitoring water, ice and snow
- Remote surface state sensing
- Measure amount of water, ice, and level of grip
- No embedded installation
- Anti-corrosion
- Infrared detection, distance up to 15.5 meters
- Easy for installation with shutting down the road
- Robust structure, 7\*24 hours monitoring



## Technical Parameters

<b>Measuring distance</b>	2-13 meters		
<b>Measuring area diameter</b>	23 cm		
<b>Angle</b>	30-90°		
<b>Power supply</b>	220VAC、24VDC		
<b>Max. Power consumption</b>	4W(including heating of lens)		
<b>Operating temperature</b>	-40 °C— +70 °C		
<b>Operating humidity</b>	0—100%		
<b>Road surface state parameters output</b>	Water film: 0.00—10mm	Resolution 0.01mm	Accuracy: 0.1mm
	Ice: 0.00—10mm		
	Snow: 0.00—10mm		
	Level of grip: 0.00—1	Resolution:0.01	
	*Road surface temperature: -40 °C—+60 °C (optional)		
<b>Road status report</b>	Dry,moist,wet,snow,ice,mixture of ice and water(frost)		
<b>Lens contamination detection</b>	Measure contamination level and automatic internal compensation		
<b>Material of road surface</b>	Concrete, asphalt		
<b>Communication</b>	RS485、RS232		
<b>Protection Grade</b>	IP65		
<b>Dimension</b>	400(L)×136 (W) ×220 (H)		
<b>Safety</b>	No safety problem – remote infrared detection		

Specifications may be subject to change without prior notice.

## Site Photos

